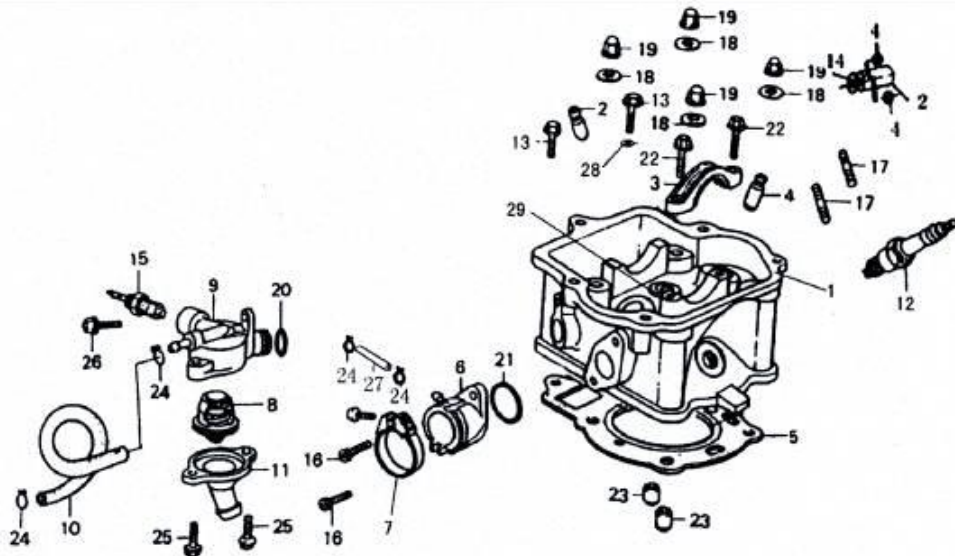


5 CYLINDER HEAD ASSY



No.	P/N	ENGLISH	Q'ty
1	172MM-022100	CYLINDER HEAD	1
2	172MM-022700	EXHAUST FLANGE	1
3	152MI-022014	BEARING COVE.CAM AXIS	1
4	172MM-022008	EXHAUST NUT	2
5	172MM-022010	CYLINDER HEAD SEAL WASHER	1
6	172MM-022900	CARBURETOR SEAT UNIT	1
7	172MM-022500	AIR INLET PIPE CLAMP UNIT	1
8	152MI-022810	THERMOSTAT	1
9	152MI-022803	UPPER THERMOSTAT SHELL	1
10	152MI-022021	CARBURETOR RUBBER PIPE1	1
11	172MM-022601	LOWER THERMOSTAT SHELL	1
12	172MM-022400	SPARK PLUG	1
13	152MI-021017	BOLT M6X25	2
14	172MM-022800	BREATH SEAL WASHER	1
15	152MI-022600	WATER TEMP SENSOR	1
16	6191-M6X18-D-Cr	SOCKET HEAD SCREW	2
17	172MM-022007	DOUBLE-SCREW BOLT	2
18	152MI-022012	WASHER 8	4
19	152MI-022013	CAP NUT M8	4
20	152MI-022804	"O" RING 14.8X1.9	1
21	172MM-022009	"O" RING 31X2	1
22	152MI-022020	BOLT M6X22	2
23	152MI-021005	LOCATION PIN Ö10X14	2

