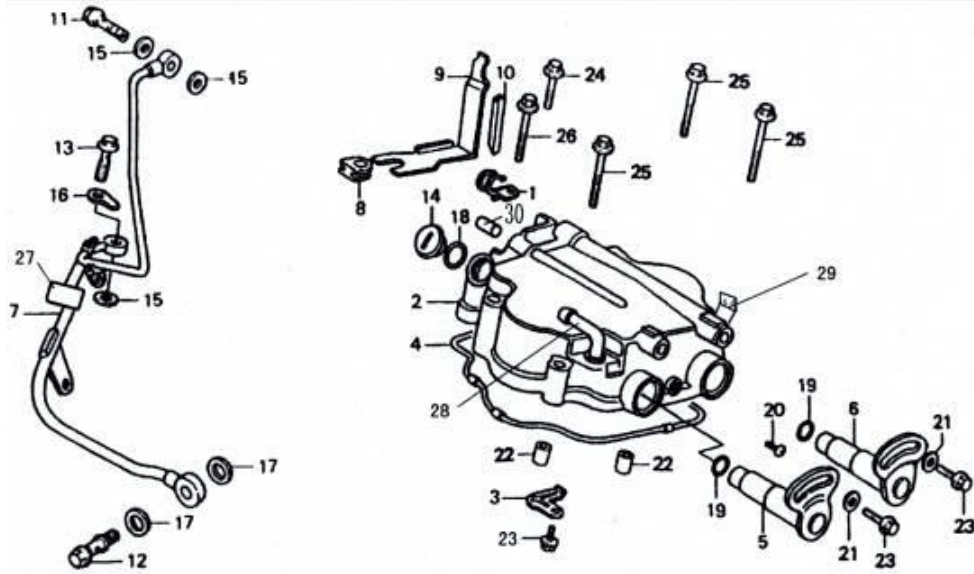


#### 4 CYLINDER HEAD CASEING ASSY



No.	P/N	ENGLISH	Q'ty
1	172MM-021009	OIL PIPE CLAMP	1
2	172MM-021001	CYLINDER HEAD COVER	1
3	172MM-021006	STOP PLATE	1
4	152MI-021011	SEAL WASHER.	1
5	172MM-021100	SWING ARM.INLET AXIS	1
6	172MM-021200	SWING ARM.OUTLET AXIS	1
7	172MM-021400	OUTER ENGINE OIL PIPE	1
8	152MI-021001	OIL PIPE RUBBER RING	1
9	172MM-021431	OIL PIPE MOUNT	1
10	152MI-021003	SHOCK ABSORBER RUBBER STRIP	1
11	152MI-021004	REAMED BOLT A M8X25	1
12	152MI-021015	REAMED BOLT M12X1.25	1
13	152MI-021013	REAMED BOLT M8X25	1
14	152MI-021008	UPPER OBSERVATION HOLE CAP	1
15	152MI-021016	WASHER 8	3
16	152MI-021012	EAR WASHER	1
17	152MI-021014	WASHER 12	2
18	152MI-021009	UPPER OBSERVATION HOLE SEAL	1
19	152MI-021010	SWING ARM AXIS SEAL RING	2
20	818-M5X16-D-Cr	CRUCIFORM SLOT SCREW	1
21	848-6-D-Cr	SMALL WASHER	2
22	152MI-021005	LOCATION PIN Ø10X14	2
23	BOLT M6X12	BOLT M6X12	3

