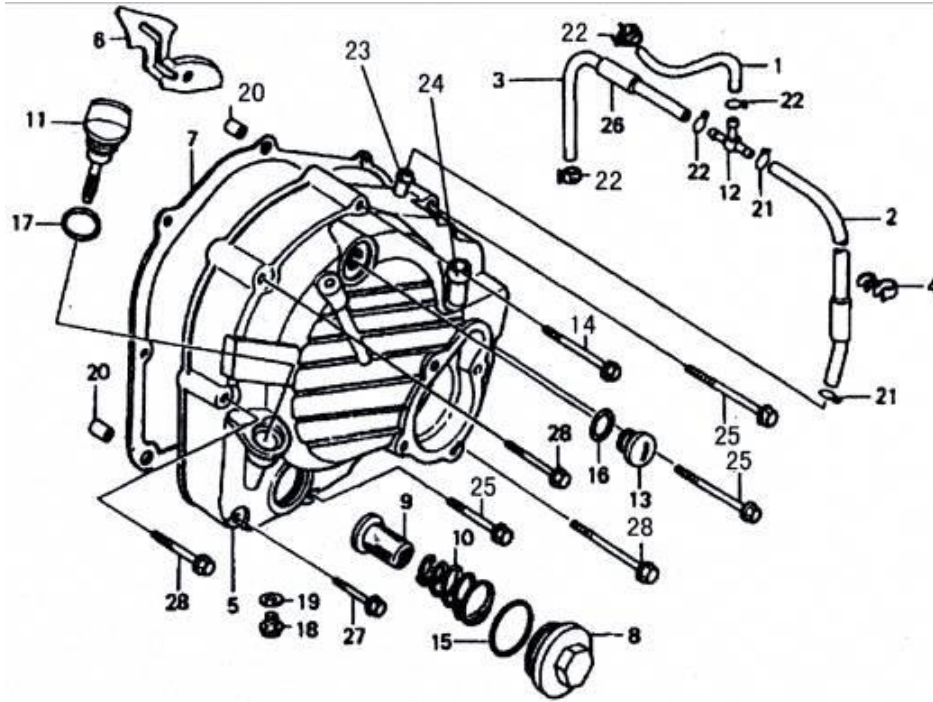
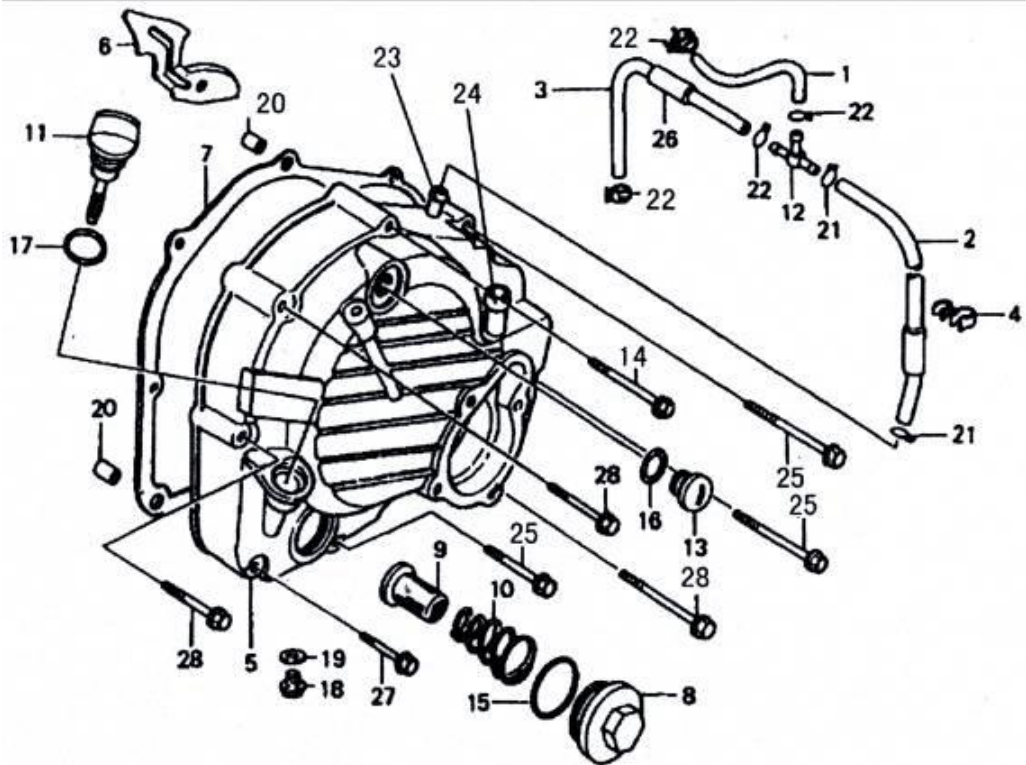


3 RIGHT COVER ASSY



No.	P/N	ENGLISH	Q'ty
1	172MM-013013	CYLINDER HEAD COVER AIR PIPE	1
2	172MM-013100	RIGHT SIDE COVER BREATH PIPE	1
3	172MM-013015	AIR FILTER BREATH PIPE	1
4	172MM-013016	BREATH PIPE CLAMP	1
5	172MM-013002	RIGHT SIDE COVER	1
6	172MM-013008	CABLE PRESS PLATE	1
7	172MM-013012	RIGHT SIDE COVER SEAL WASHER	1
8	172MM-013007	OIL FILTER CAP	1
9	152MI-013100	OIL FILTER CORE	1
10	172MM-013006	SPRING	1
11	172MM-013001	ENGINE OIL METER	1
12	172MM-013019	3-WAY	1
13	152MI-021008	UPPER OBSERVATION HOLE CAP	1
14	172MM-013031	BOLT	1
15	172MM-013028	"O" RING 30X3.35	1
16	152MI-021009	SEAL RING.CAP	1
17	172MM-013030	"O" RING 18X3.35	1
18	172MM-013005	OUTLET BOLT	1
19	152MI-021014	WASHER 12	1

3 RIGHT COVER ASSY



No.	P/N	ENGLISH	Q'ty
20	152MI-08008	LOCATING PIN Ø8x14	2
21	QC/T621-1999-A10	CLAMP 12	2
22	QC/T621-1999-A12	CLAMP 10	4
23	172MM-013010	BREATH FAUCET	1
24	172MM-013009	WATER OUTLET FAUCET	1
25	152MI-013009	BOLT M6X40	3
26	172MM-013026	PROTECTION PIPE	1
27	152MI-071007	BOLT M6X28	1
28	1P52MI-011018	BOLT M6X70	3