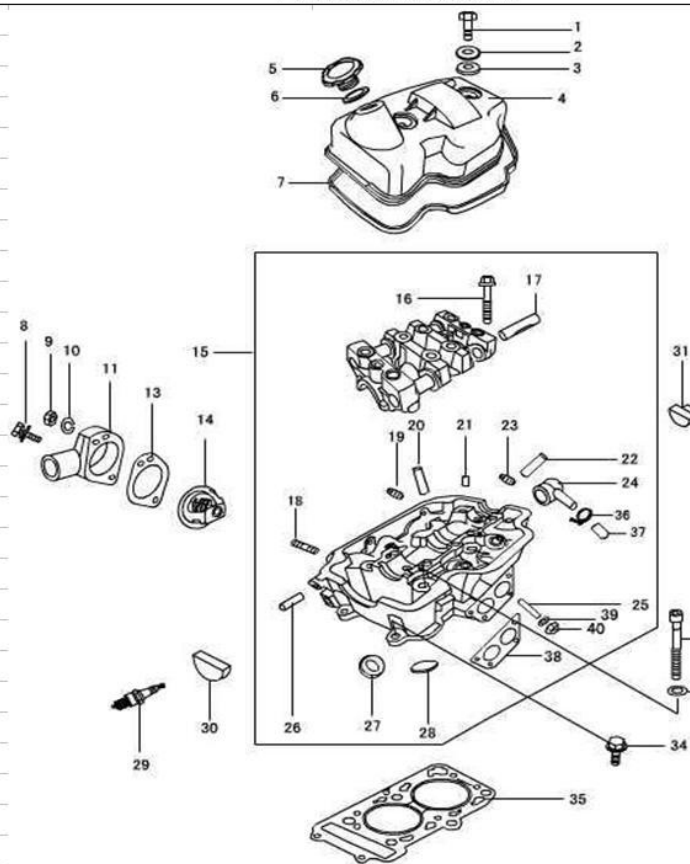


3 CYLINDER HEAD PART



No.	Code name	Description	Qty
1	GB/T5782 - 1986	Bolt M8×40	2
2	270Q - 01009	Gasket of cylinder head cover bolt	2
3	270Q - 01011	Rubber pad of cylinder head cover bolt	2
4	276Q - 01300	Cylinder head cover assembly	1
5	270Q - 01400B	Filler cap assembly	1
6	270Q - 01403	Filler cap cushion	1
7	270Q - 01012B	Seal ring of cylinder head cover	1
8	GB/T9074.17 - 1988	Unit bolt M8×30	1
9	QTB15	Nut M8 - 8	5
10	GB/T93 - 1987	Spring washer φ8	5
11	270Q - 01017	Thermostat cap	1
12	270Q - 01016	Thermostat cap gasket	1
13	270Q - 01015	Thermostat	1
14	270Q - 01100	Cylinder head and camshaft bearing bushing cap assembly	1
15	270Q - 01109	Camshaft bearing bushing cap bolt	8
16	270Q - 01007	Valve rocker arm shaft	4
17	GB/T898 - 1988	Stud AGM8×25 - 8.8	4
17a	GB/T899 - 88	Stud AGM8×28 - 8.8	
18	QTB26	Square head taper plug NPT1/8"	1
19	270Q - 01104	Inlet valve guide	2
20	QTB40	Locating pin φ 6×14	6
21	270Q - 01105	Exhaust valve guide	2
22	QTB23	Hexagon -headed taper plug	1
23	270Q - 01023A	Hot air water pipe	1
24	GB/T898 - 1988	Stud AGM8-M8×20 - 8.8	4
25	270Q - 01018	Minor cycle water pipe	1
26	270Q - 01102	Intake valve seat	2
27	270Q - 01103B	Exhaust valve seat	2
28	270Q - 01019B	Water Temperature warner	1
29	270Q - 01013	Front Semi-Circle Oil Seal	1
30	270Q - 01014	Rear Semi-Circle Oil Seal	1
31	270Q - 01022	Cylinder head bolt	6
32	GTB30	Thick washer φ21×φ11×3	6
33	GB/T9074.17 - 1988	Bolt assembly M8×28	2
34	276Q - 01021	Cylinder head gasket	1
35	270Q - 01025	Rubber plug of hot air water pipe	1
36	ZB/TT32005.1 - 88	Shell ring with double steel wire	1
37	270Q - 01024	Exhaust pipe gasket	1
38	GB/T93 - 1987	Washer8	4
39	QTB15	Nut M8 - 8	4