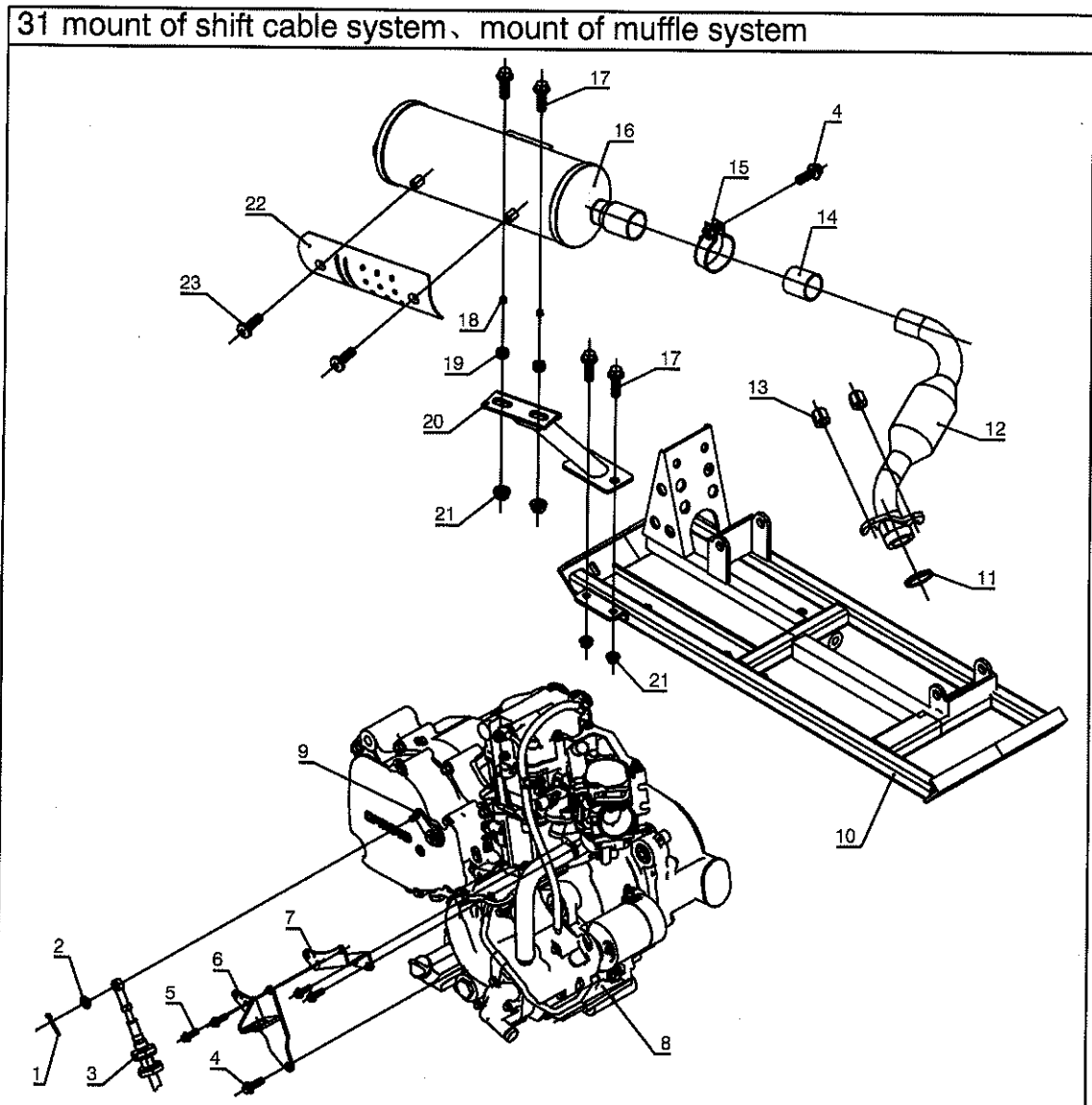
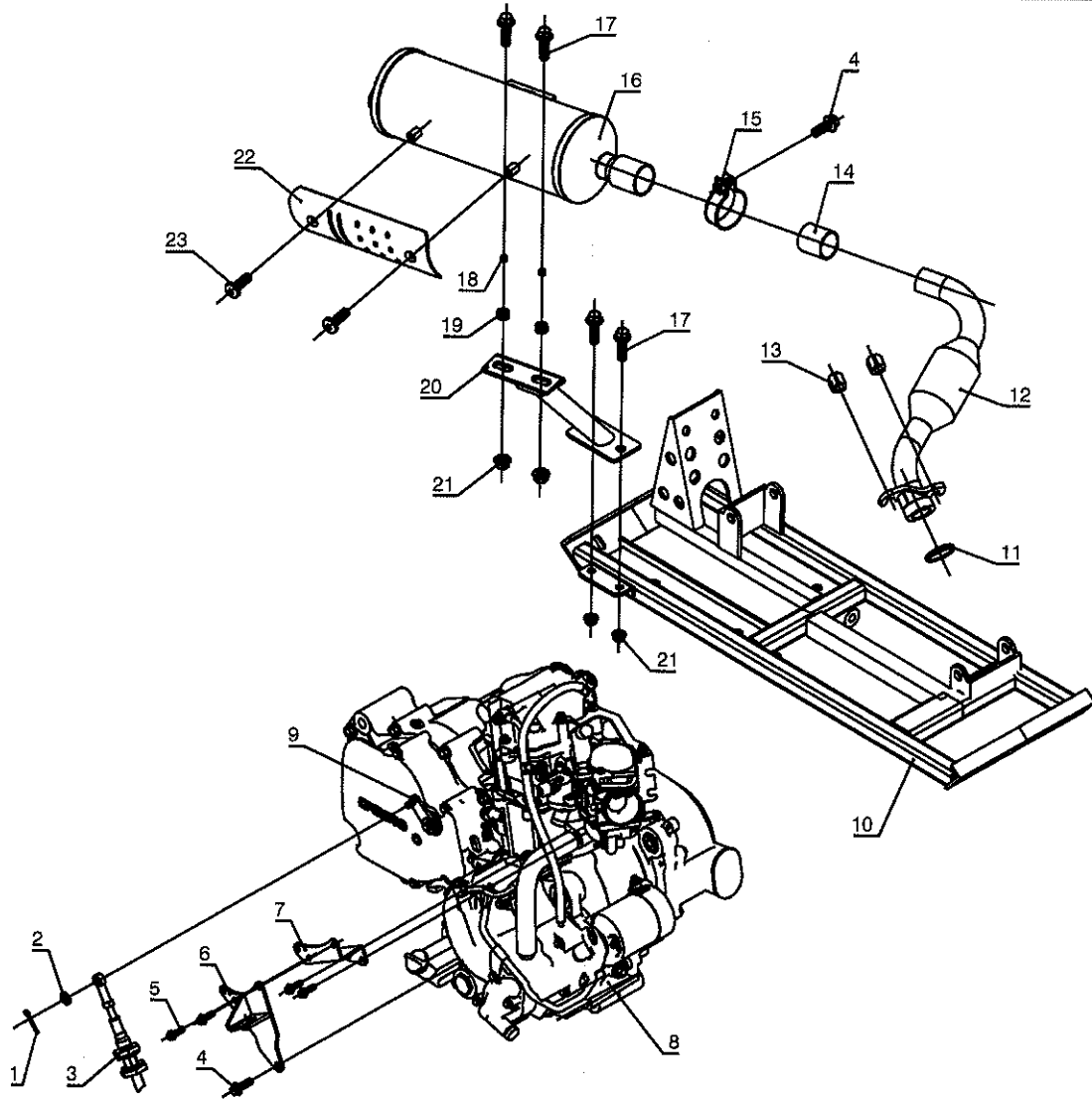


31. Mount of shift cable system, mount of muffler system



NO.	PART NO.	DESCRIPTION	QUANTITY
1	91-CP2x25	cotter pin 2x25	1
2	95-W8	plane washer ? 8	1
3	DN250.05.03.04.00	shift cable	1
4	5787-M8x20	flange bolt M8x20	2
5	5787-M6x10	flange bolt M6x10	2
6	DI250.05.03.00.03A	fixed mount of shift cable 1.1	1
7	DI250.05.03.00.05A	fixed mount of shift cable 3.1	1
8	DI250.07.04.00.00	engine assy	1
9	DI250.05.03.05.00	gear shift arm	1
10	DN250.08.02.00.00A	engine rack	1
11	D25011037	asbestos gasket of muffler	1
12	E250.05.04.02.00	exhaust pipe	1

31 mount of shift cable system, mount of muffler system



NO.	PART NO.	DESCRIPTION	QUANTITY
13	CF250T-440001	muffle nut	2
14	JD1118009	asbestos sleeve of muffler	1
15	DI250.05.02.00.02	muffler clamp	1
16	E250.05.04.01.00	muffler	1
17	5787-M8x30	flange bolt M8x30	4
18	JD1910002	radiator sleeve	2
19	JD1910002A	rubber bushing of muffler	2
20	E250.05.04.03.00	mount of muffler	1
21	6187.1-M8	self-lock nut M8	4
22	E250.05.04.01.05	heat shield	1
23	819.2-M6x15	cruciform socket sunk screw M6x15	2