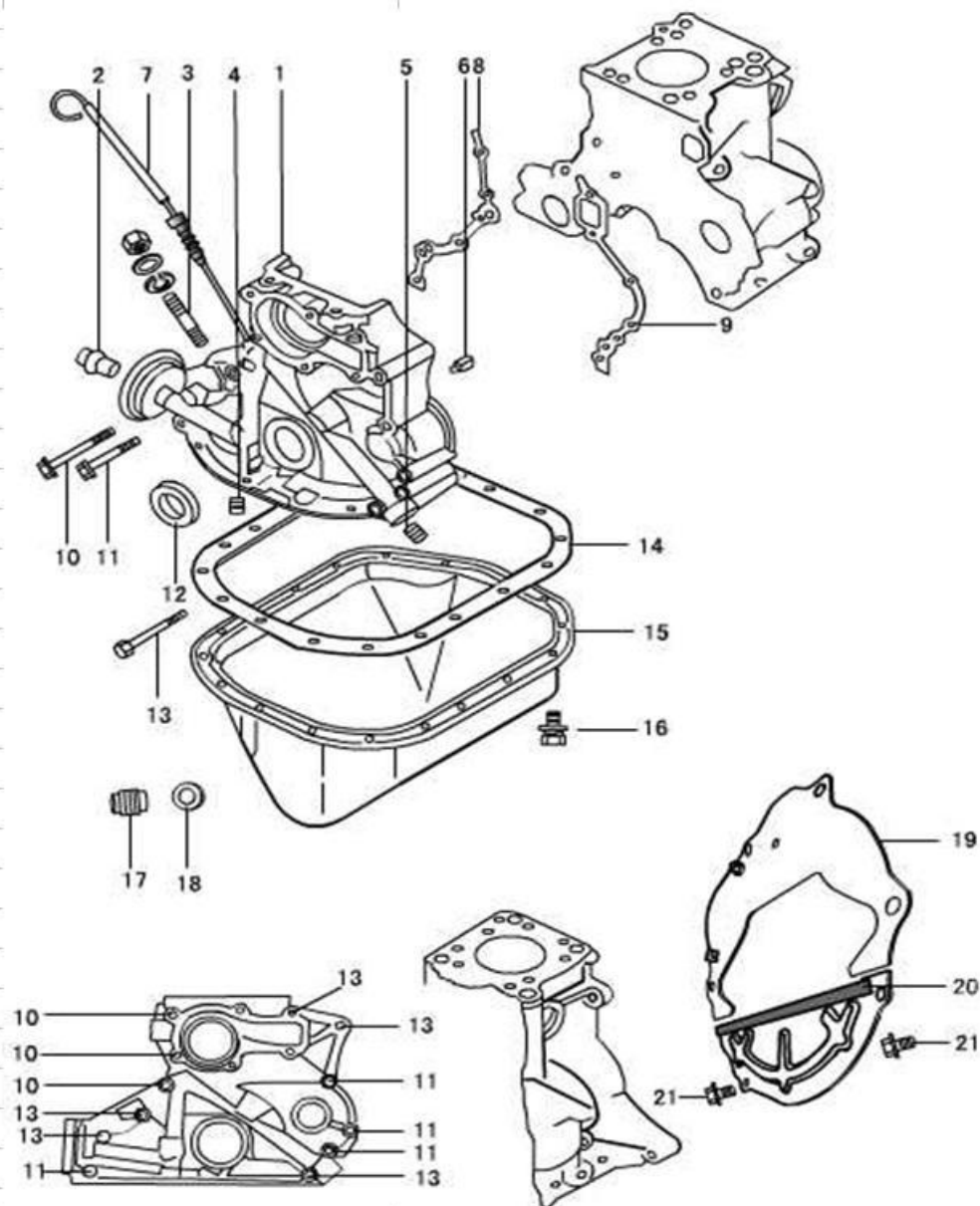


2 SPROCKET COVER AND OIL PAN PART



No.	Code name	Description	Qty
1	276Q - 02201	Sprocket cover	1
2	270Q - 02202	Oil filter tie-in	1
3	GB/T900 - 88	Taper bolt AGM8 - M8×22 - 8.8	1
4	QTB23	Hexagon-headed taper bolt NTP1/4	1
5	QTB23	Hexagon-headed taper bolt NTP3/8	1
6	270Q - 02004	Jetting pipe	1
7	LJ276MT - 2 - 02400	Dipstick	1
8	-2001	Left gasket of sprocket cover	1
9	-2002	Right gasket of sprocket cover	1
10	QTB10	Hexagon-headed bolt with edge M8×88	3
11	QTB10	Hexagon-headed bolt with edge M8×68	4
12	QTB53A	Crankshaft rear oil seal with unidirectional flow around FB35×50×8	1
13	QTB10	Hexagon-headed bolt with edge M8×78	3
14	270 - 02005A	Oil Pan gasket	1
15	LJ276MT - 2 - 02300	Oil Pan assembly	1
16	GB/T9074.17-1988	Bolt assembly M6×12	18
17	QTB24	Drain Plug M14×1.5	1
18	270Q - 02303B	Drain Plug gasket	1
19	276MT - 2 - 02500	Upper baffle plate assembly of clutch	1
20	LY - 1701220 - 01	Third and fourth gear assembly	1
21	QTB10	Hexagon-headed bolt with edge M6×10	2