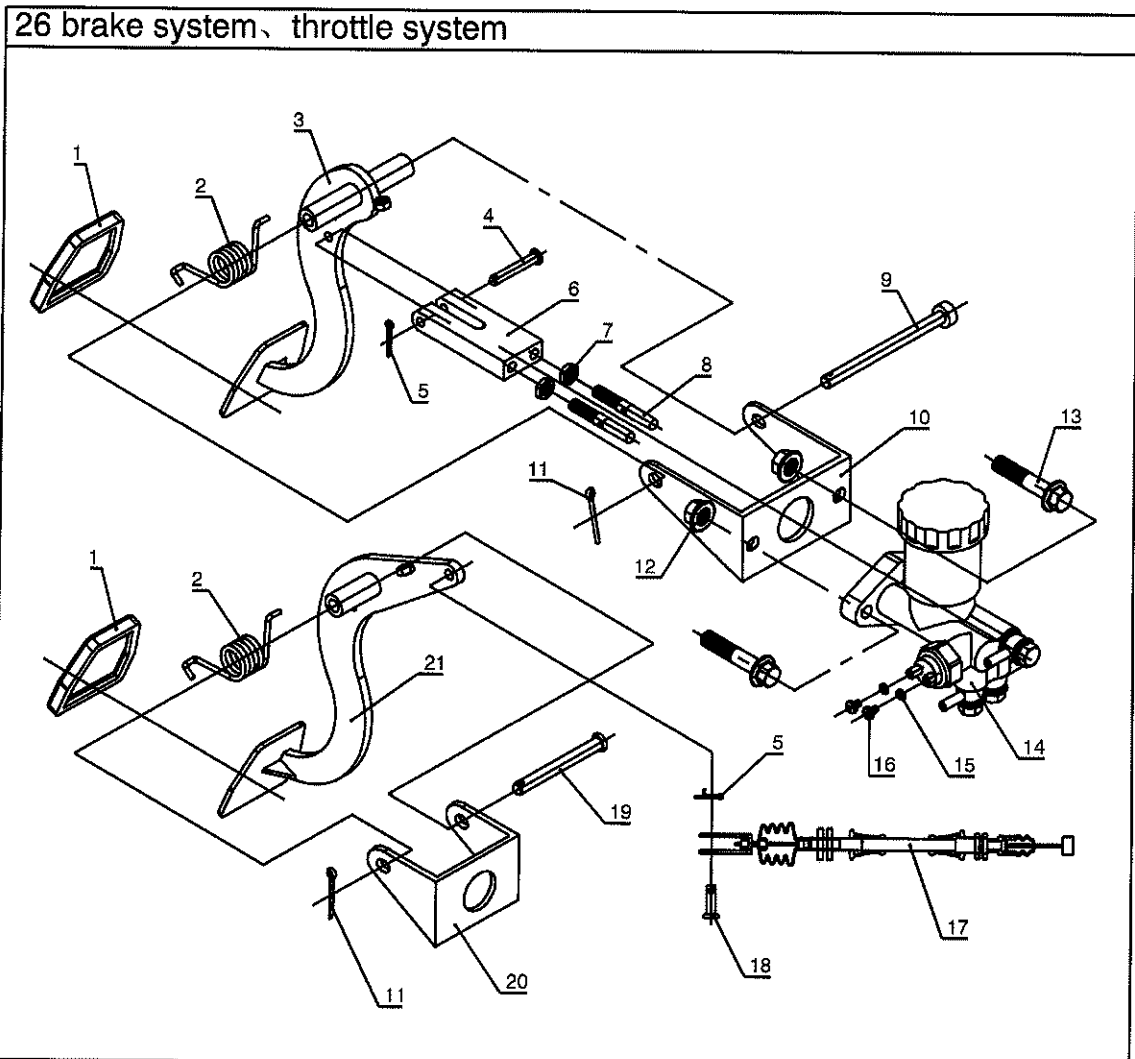
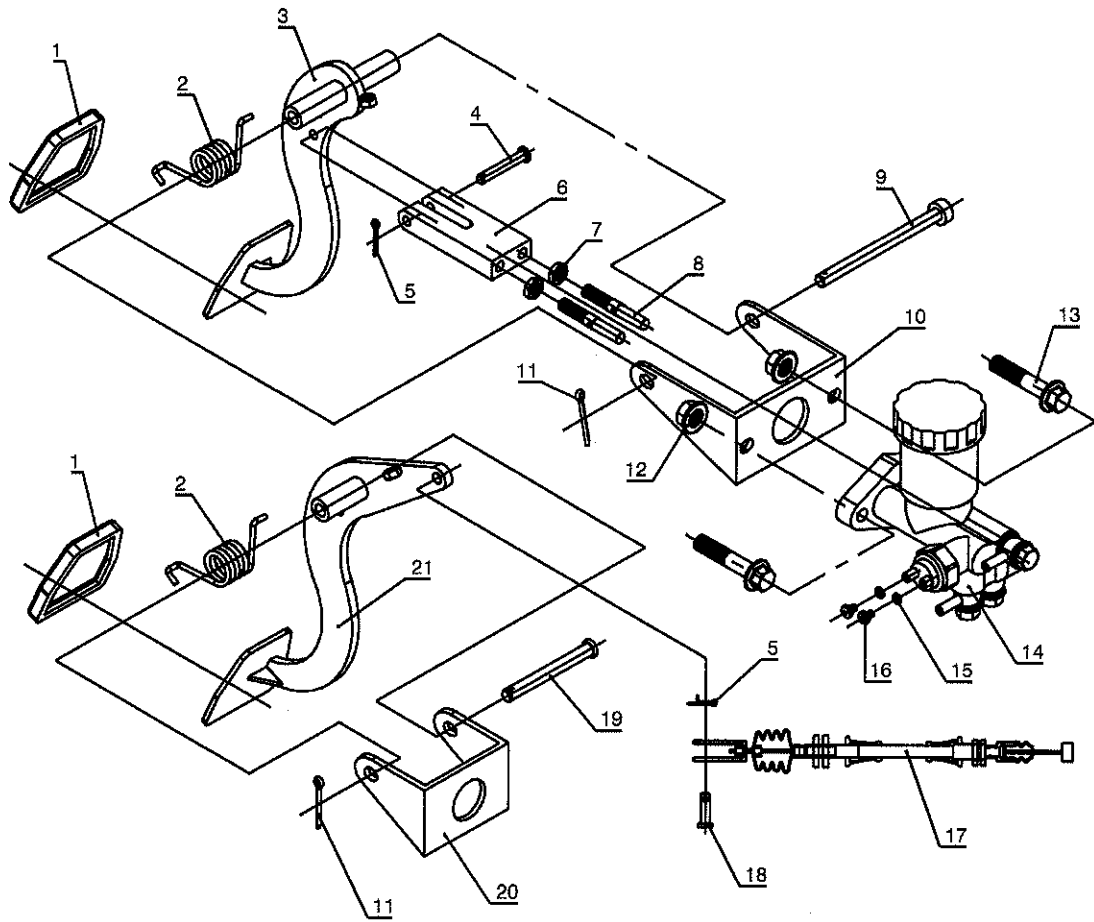


26. Brake system, throttle system



NO.	PART NO.	DESCRIPTION	QUANTITY
1	D650.07.01.00.05	pedal pad	2
2	DS250.04.01.00.01	pedal return spring	2
3	DS250.04.01.00.02	brake pedal	1
4	882-PP6x40	pivot pin 6x40	1
5	91-CP2x25	cotter pin 2x25	2
6	DS250.04.01.00.03	T block	1
7	6172.1-M8	thin nut M8	2
8	DI250.04.01.00.05	push shaft . master cylinder	2
9	DS250.04.01.00.03	pivot pin . brake pedal	1
10	DS250.01.01.02.25	brake pedal mounting plate . main frame	1
11	91-CP3.2x30	cotter pin 3.2x30	2
12	6187.1-M8	self-lock nut M8	2
13	5787-M8x25	flange bolt M8x25	2
14	E250.04.01.00.00	one pull four hydraulic brake	1

26 brake system, throttle system



NO.	PART NO.	DESCRIPTION	QUANTITY
15	93-SW4	spring washer ? 4	2
16	822-M4x5	cruciform socket screw M4x5	2
17	DS250.04.02.00.02	throttle cable	1
18	882-PP6x20	pivot pin 6x20	1
19	882-PP8x75	pivot pin 8x75	1
20	E250.01.01.02.02	throttle pedal mounting plate . main frame	1
21	DS250.04.02.00.01	throttle pedal	1