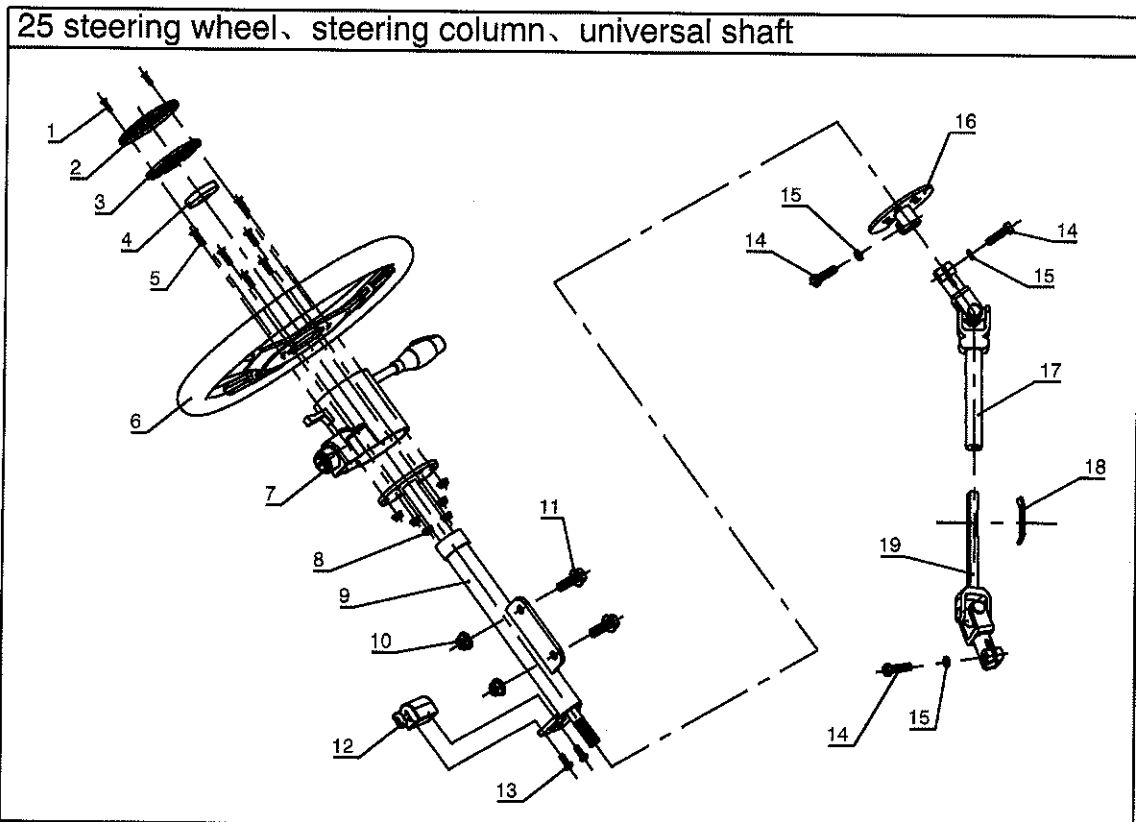


25. Steering wheel, steering column, universal shaft



NO.	PART NO.	DESCRIPTION	QUANTITY
1	70.3-M4x16	hexagon sunk screw M4x16	2
2	DI250.03.01.00.01	steering wheel plastic cover	1
3	DI250.03.01.00.02	steering wheel rubber cover	1
4	DI250.03.00.00.02	rubber washer	1
5	819.2-M6x20	cruciform socket sunk screw M6x20	6
6	DI250.03.01.00.03	steering wheel	1
7	D650.06.00.08.00	combined switch	1
8	6187.1-M6	self-lock nut M6	6
9	E250.03.01.00.00A	steering column	1
10	6185.1-M10x1.25	flange nut M10x1.25	2
11	5787-M10x1.25x25	flange bolt M10x1.25x25	2
12	E650.08.01.13.00	steering wheel lock	1
13	819.2-M6x12	cruciform socket sunk screw M6x12	2
14	5782-M8x25	bolt M8x25	3
15	93-SW8	spring washer ? 8	3
16	E650.05.01.04.00	mounting plate . lock	1
17	E250.03.04.00.03	upper universal shaft	1
18	DS250.03.02.00.04	spring steel sheet . universal shaft	1
19	E250.03.04.00.05	lower universal shaft	1