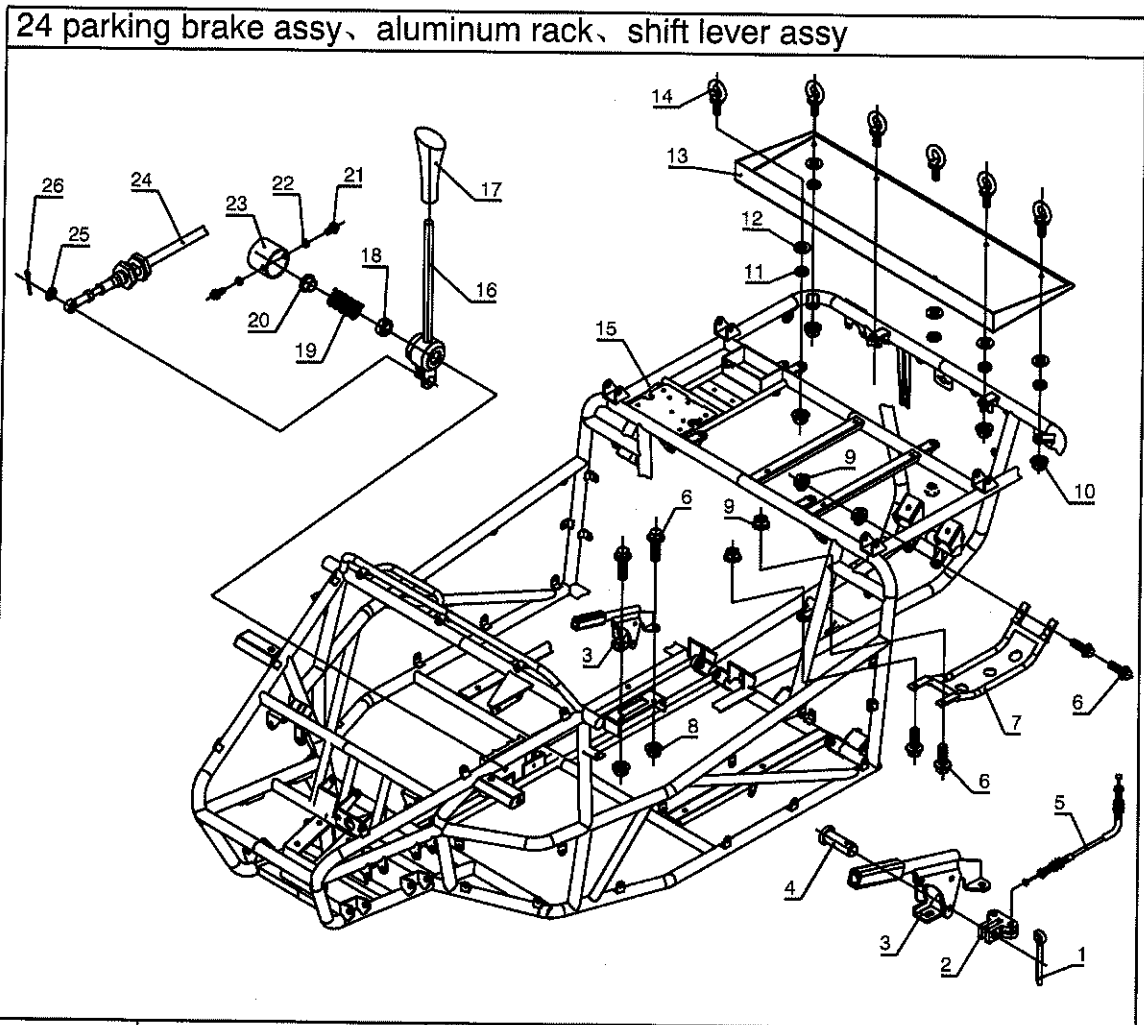
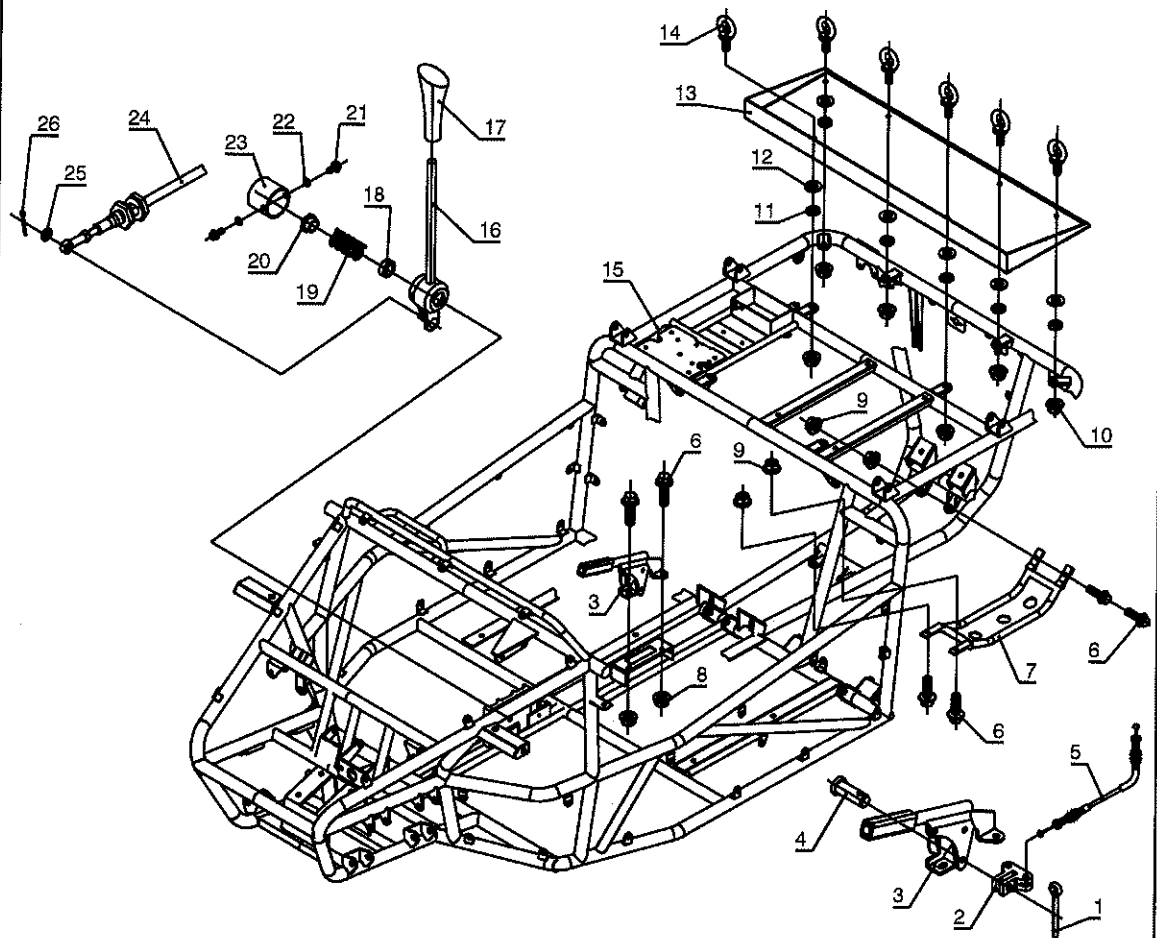


## 24. Parking brake assy, aluminum rack, shift lever assy



NO.	PART NO.	DESCRIPTION	QUANTITY
1	91-CP3.2x25	cotter pin 3.2x25	1
2	E250.04.00.00.01	parking brake joint	1
3	D650.07.02.01.00	parking brake machanism	1
4	882-PP8x26	pivot pin 8x26	1
5	E250.04.02.00.00	parking brake cable	2
6	5787-M8x20	flange bolt M8x20	6
7	E250.01.02.06.00	protective cover chain pulley (43 tooth)	1
8	6187.1-M8	self-lock nut M8	2
9	6185.1-M8	flange nut M8	4
10	6185.1-M10x1.25	flange nut M10x1.25	6
11	93-SW10	spring washer ? 10	6
12	95-W10	plane washer ? 10	6
13	E250.01.02.00.01	aluminum rack	1
14	825-M10x1.25	handle bar bolt M10x1.25	6
15	E250.01.01.00.00	main frame	1

24 parking brake assy, aluminum rack, shift lever assy



NO.	PART NO.	DESCRIPTION	QUANTITY
16	DI250.05.03.03.00	shift lever	1
17	JD10.82.101	shift lever rubber bushing	1
18	304.1-GE12E	shift lever joint bearing GE12E	1
19	D250.08.004	shift lever spring	1
20	D250.08.005	shift lever stop ring	1
21	5787-M6x10	flange bolt M6x10	2
22	93-SW6	spring washer ? 6	2
23	D250.08.009	shift lever cover	1
24	DN250.05.03.04.00	shift cable	1
25	95-W8	plane washer ? 8	1
26	91-CP2x25	cotter pin 2x25	1