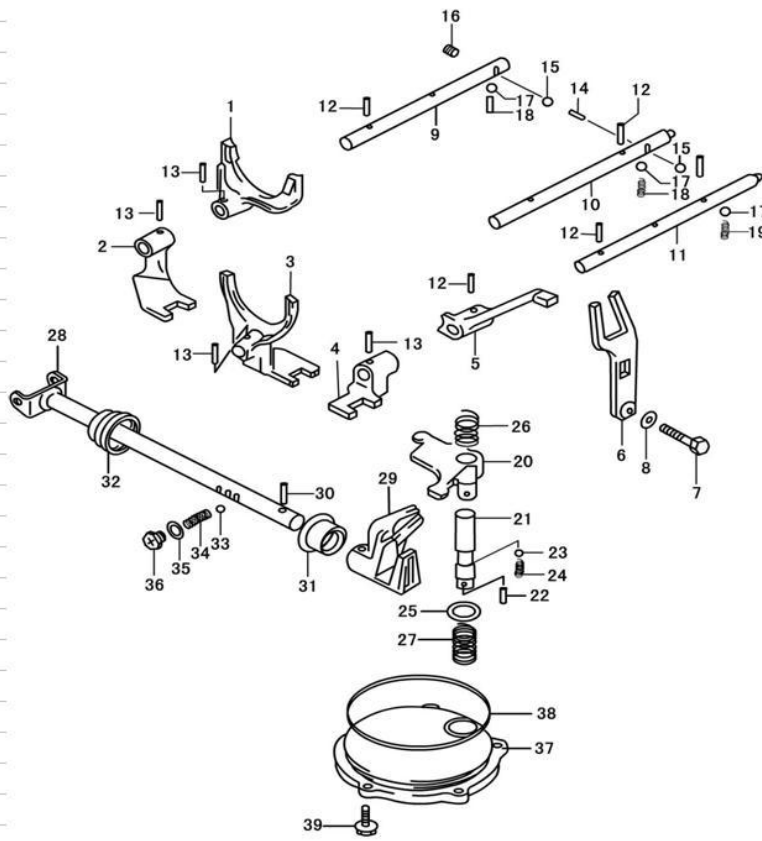


18 GEAR SHIFTED GEAR FORK



NO.	Code name	Description	Qty
1	1702014	Shifted gear shifting fork of the first and the second gears	1
2	1702017	Shifted gear fork of the first and the second gears	1
3	1702015	Shifted gear shifting fork of the third and the fourth gears	1
4	1702012	Reverse gear shifted gear fork	1
5	1702011	Reverse gear shifted gear cantilever	1
6	1702060	Shifted gear shifting fork assembly of reverse gear	1
7	GB5783—86	Bolt M10×1.25×35	1
8	1702019	Shifted gear shifting fork washer of reverse gear	1
9	1702014	Shift lever of the first and the second gears	1
10	1702018	Shift lever of the third and the fourth gears	1
11	1702016	Reverse gear shift lever	1
12	GB879—86	Pin 4.5×18	4
13	GB879—86	Pin 4.5×20	4
14	GB309—84	Needle 3×9.8	1
15	GB308—84	Steel ball 9.5250G60b	2
16	1701021	Hole plug	1
17	GB308—84	Steel ball 9.5250G60b	3
18	1702021	Locating spring of high and low speed shift level	2
19	1702022	Locating spring	1
20	1702082	Transposition Rocker arm	1
21	1702081	Transposition shaft	1
22	GB119—86	Pin D4×8	1
23	GB308—84	Steel ball 7.9375G60b	1
24	1702029	Locating spring	1
25	1702026	Transposition shaft washer	1
26	1702024	Long spring of Transposition shaft	1
27	1702025	Short spring of Transposition shaft	1
28	1702070	Shift shaft assembly	1
29	1702028	Transposition shaft rocker	1
30	GB879—76	Pin 5×22	1
31	1702040	Seal ring assembly of shift shaft	1
32	1702027	Dirt guard of Shift shaft	1
33	GB308—84	Steel ball 7.9375 G60b	1
34	1702022	Locating spring	1
35	1702019	Shifted gear shifting fork washer of reverse gear	1
36	ZBT31033—88	Hollow-headed and cross recess bolt M10×1.25×9	1
37	1702023	Transposition shaft cap	1
38	GB345.1—82	"O" type seal ring 95×2.65	1
39	GB789—86	Bolt AM6×20	1