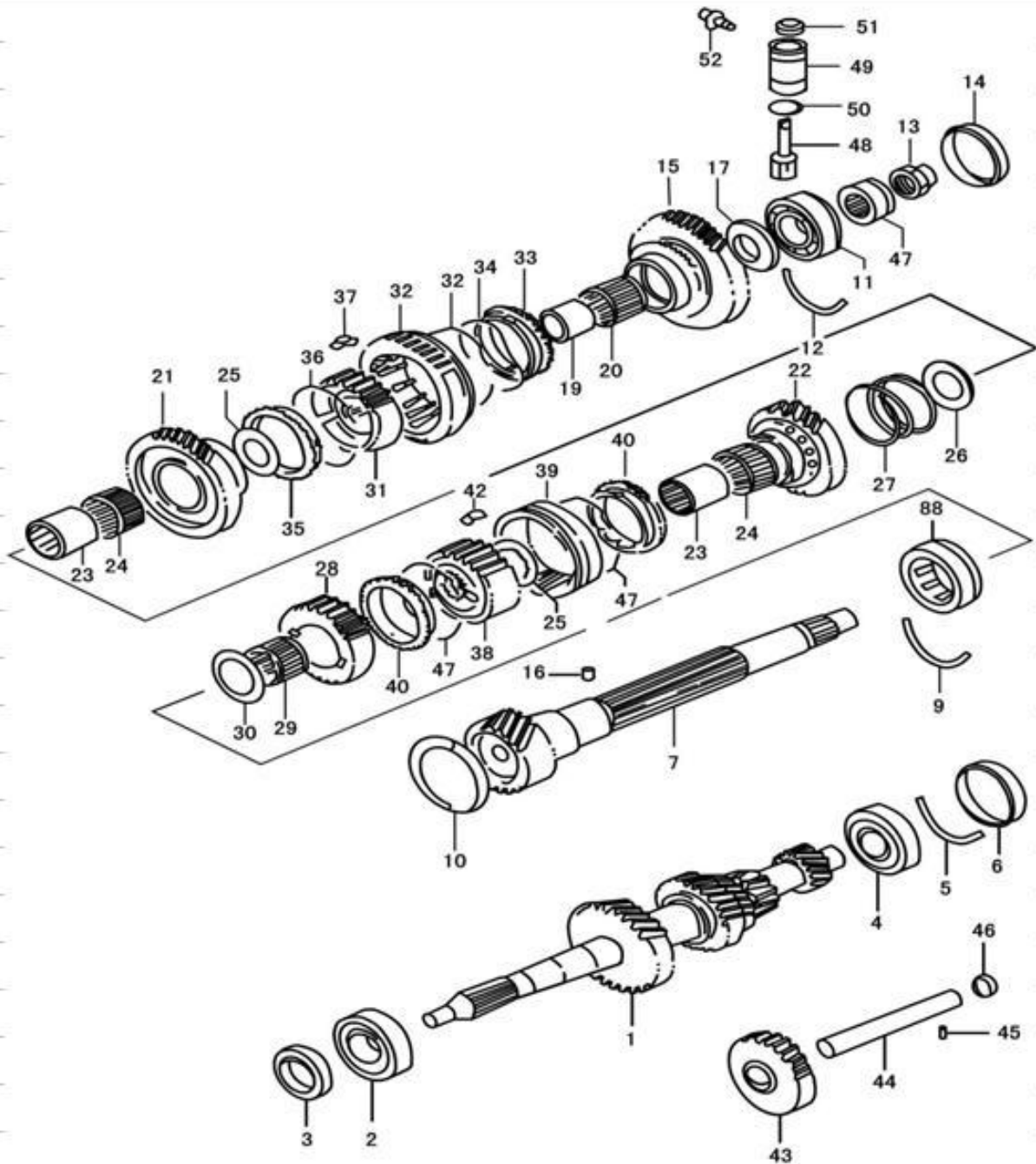


## 17 FIRST SHAFT AND COUNTERSHAFT



No.	Code name	Description	Qty
1	1701130	The first shaft assembly	1
2	GB/T276—94	Endocentric ball bearing 6204—2RS/P53	1
3	1701310	The first shaft seal ring assembly	1
4	GB/T276—94	Endocentric ball bearing 6204—2RS/P53	1
5	1701011	Thrust ring of the first shaft bearing	1
6	1701120	The first shaft seal cap assembly	1
7	1701201	Countershaft	1
8	1701250	Cylindrical roller bearing with Locking notch and without inner circle	1
9	1701013	Thrust ring of countershaft bearing (right)	1
10	1701060	Sealing cap assembly of countershaft (right)	1
11	GB/T276—94	Endocentric ball bearing 6204—2RS/P53	1