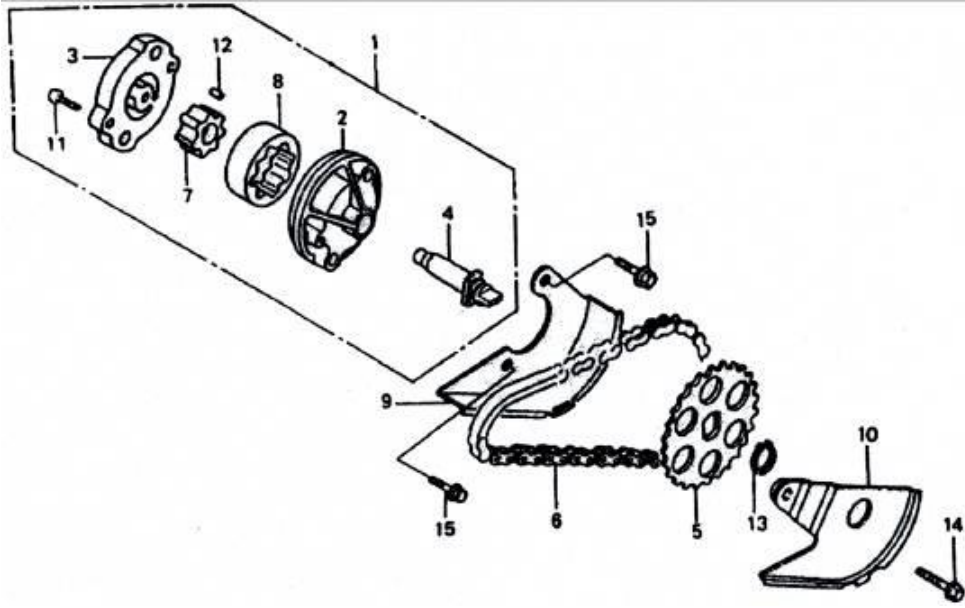


## 16 ENGINE OIL PUMP ASSY



No.	P/N	ENGLISH	Q'ty
1	151MI-071000	OIL PUMP ASSY	1
2	151MI-071002	OIL PUMP BODY	1
3	151MI-071003	OIL PUMP COVER	1
4	151MI-071001	OIL PUMP AXIS	1
5	151MI-071001	OIL PUMP CHAIN PULLEY	1
6	151MI-073000	CHAIN.OIL PUMP	1
7	151MI-071004	INNER ROTOR.OIL PUMP	1
8	151MI-071005	OUTTER ROTOR.OIL PUMP	1
9	151MI-070002	OIL PUMP SPACER PLATE A	1
10	151MI-072000	OIL PUMP SPACER PLATE B	1
11	878-M3X12	SCREW	1
12	151MI-071006	LOCATION PIN 4X6.5	1
13	894.1-B10	RETAINER RING.AXIS	1
14	151MI-021019	BOLT M6X12	1
15	151MI-070003	BOLT M6X28	2