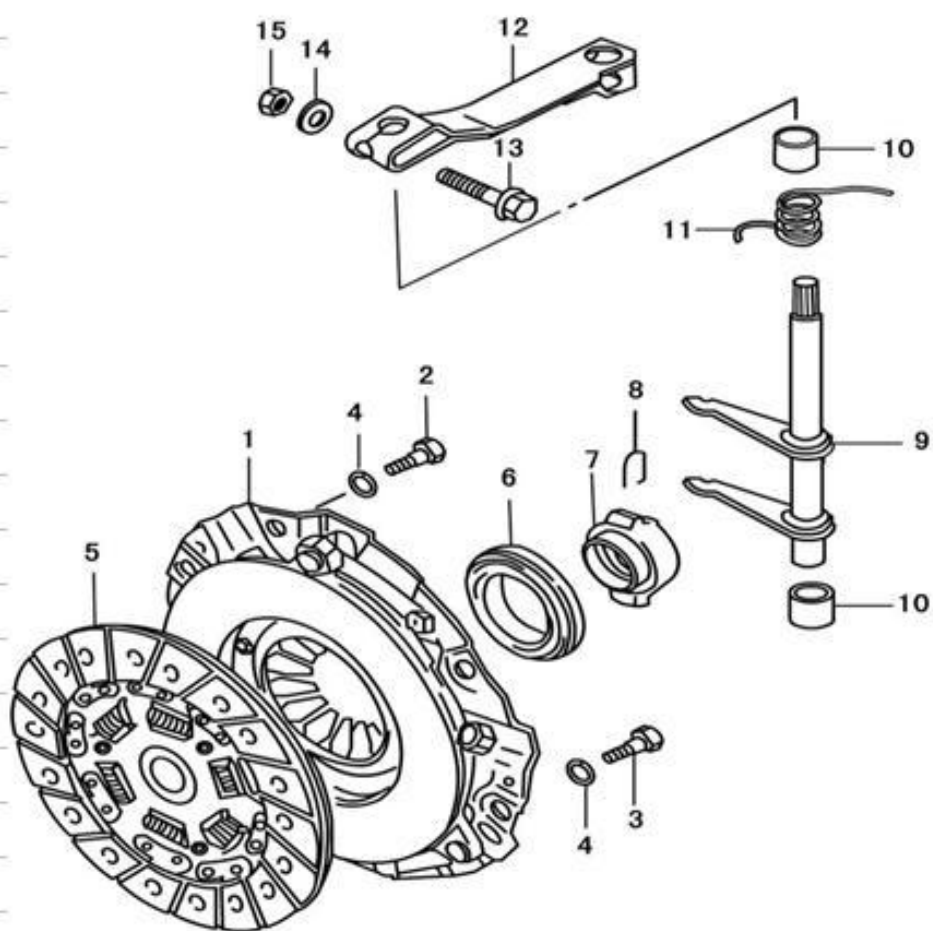


15 CLUTCH , SHIFTER SHAFT AND ROCKER ARM



No.	Code name	Description	Qty
1	QST160HH14	Clutch assembly	1
2	LJ462Q—1—1005024D	Platen locating screw	2
3	GB/T9074.15—1988	Bolt tab M8×16	4
4	GB859—87	Light gage spring washer	6
5	DST160A71	Clutch driven disk assembly	1
6	1701510	Clutch release bearing	1
7	1701501	Release sleeve	1
8	1701022	Circlip	2
9	1701040	Clutch shifter shaft assembly	1
10	1701019	Bushing ring	2
11	1701018	Torsion spring	1
12	1701016	Clutch rocker arm	1
13	GB5789—86	Bolt AM8×35	1
14	GB97.1—85	Washer	1
15	GB6170—86	Nut M8	1