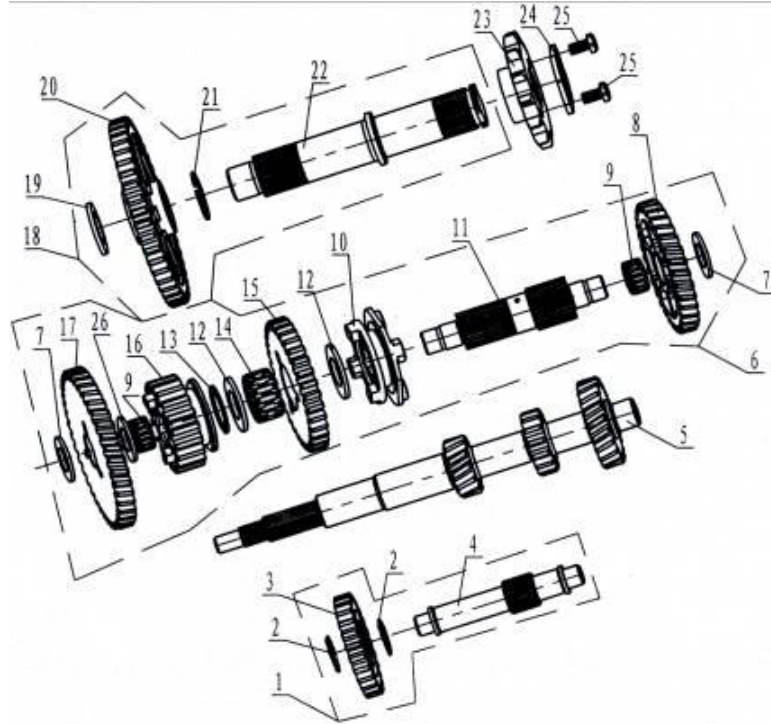
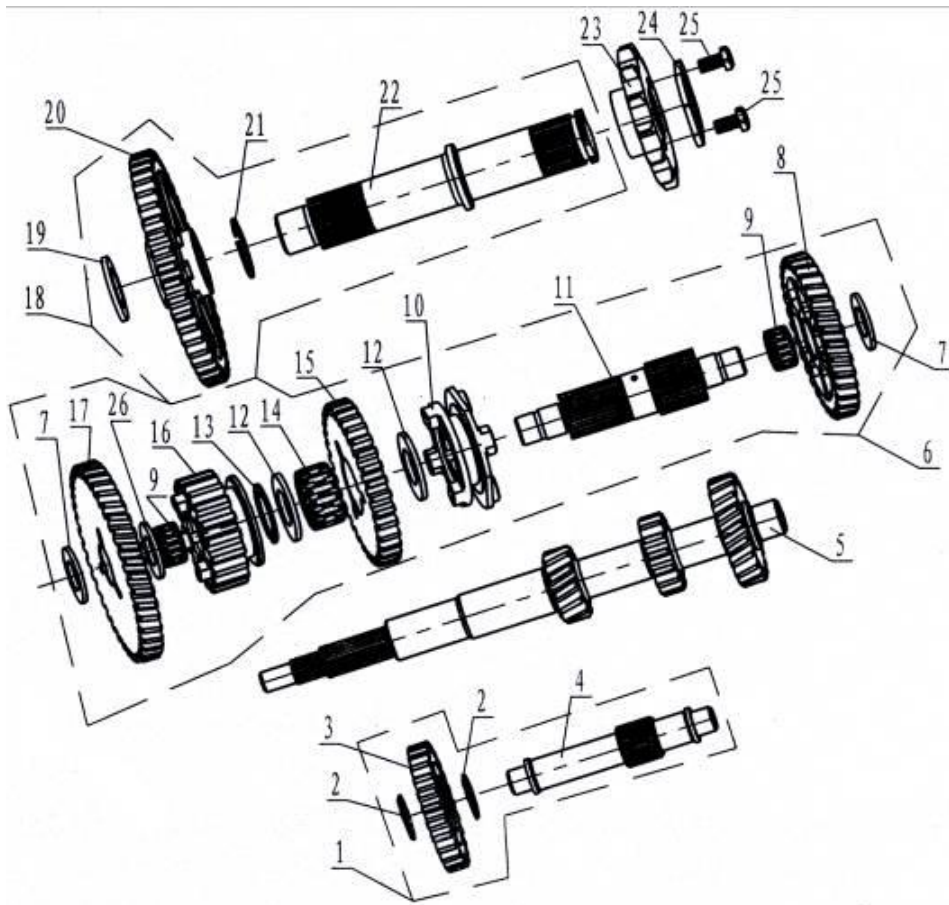


14 TRANSMISSION GEAR ASSY



No.	P/N	ENGLISH	Q'ty
1	172MM-B-067000	TRANSITION GEARS ASSY	1
2	89431-RR 20	RETAINER RING	2
3	172MM-B-067000	TRANSITION GEAR	1
4	172MM-B-067001	TRANSITON GEAR-AXIS	1
5	172MM-B-060001	MAIN AXIS	1
6	172MM-B-062000	SECONDARY AXIS ASSY	1
7	172MM-B-062006	WASHER.15X28X2	2
8	172MM-B-062002	HIGH SPEED DRIVING GEAR	1
9	NTN: K16X20X10	NEEDLE BEARING	2
10	172MM-B-062009	SHIFT SLIDING SLEEVE	1
11	172MM-B-062001	SECONDARY AXIS	1
12	172MM-B-062007	WASHER 24X33X2	2
13	894.1-24	CIRCLIP.AXIS	1
14	K24X28X10	NEEDLE BEARING	1
15	172MM-B-062003	REVERSE DRIVEN GEAR	1
16	172MM-B-062005	OUTPUT DRIVEN GEAR	1
17	172MM-B-062004	LOW SPEED DRIVEN GEAR	1
18	172MM-C-063000	OUTPUT AXIS ASSY	1
19	172MM-C-063002	WASHER 20X32X2.5	1
20	172MM-C-063005	OUTPUT DRIVEN GEAR	1

14 TRANSMISSION GEAR ASSY



No.	P/N	ENGLISH	Q'ty
21	CF188-061007	RETAINER RING.AXIS 25	1
22	172MM-C-063001	OUTPUT AXIS	1
23	DN250.07.00.00.05	CHAIN PULLEY	2
24	172MM-C-060005	CHAIN PULLEY PRESS PLATE	1
25	172MM-C-063009	BOTL M6X12	1
26	172MM-B-062008	WASHER 16X28X2	1