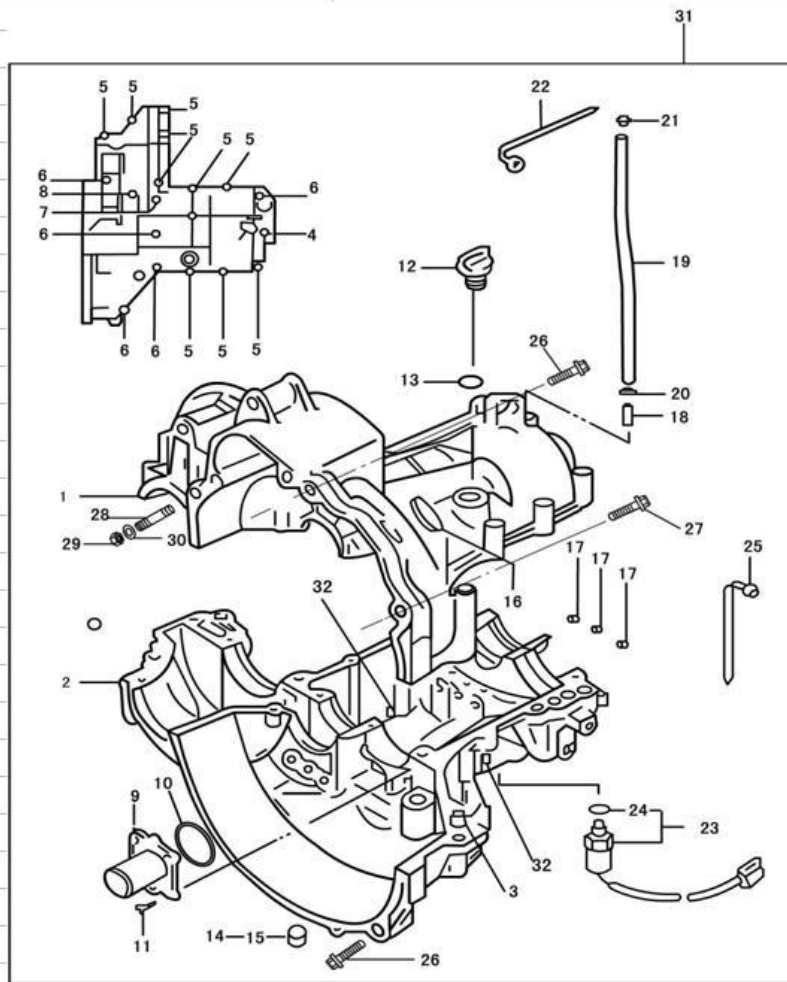


14 TRANSMISSION TANK



No.	Code name	Description	Qty
1-1	1701111	Upper tank of transmission	1
1-2	1701112	Lower tank of transmission	1
2	1701113	Locating pin	2
3	GBT5787—86	Bolt M6×40	1
4	GBT5787—86	Bolt M8×50	10
5	GBT5787—86	Bolt M8×70	5
6	GBT5787—86	Bolt M8×90	1
7	GBT5787—86	Bolt M8×135	1
8	1701301	Baffle plate of seal ring of the first shaft	1
9	GB3452.1—82	"O" type seal ring 40×2.65	1
11	1701140	Dip stick assembly	1
12	GB3452.1—82	"O" type seal ring 15×2.65	1
13	ZBT32001.3—87	Bolt Z 1 / 2"—14	1
14	ZBT32001.9—87	Bolt Z 1 / 2"—14(magnetism)	1
15	1701017	Sight hole cover	1
16	1702050	Sealing cover assembly of shift lever	3
17	1701025	Breathing pipe tie-in	1
18	1701026	Breathing pipe	1
19	1701023	Perkins joint	1
20	1701027	Breathing pipe plug	1
21	1701024	Line fastener	1
22	3729010	Switch assembly of back light	1
23	GB3452.1—82	"O" type seal ring 15×2.65	1
24	1000013	Supporting piece	1
25	1701024	Line fastener	1
26	LJ368Q—1000163	Shouldered tap bolt	2
27	LJ368Q—1000169	Shouldered tap bolt	1
28	LJ368Q—1000167	Stud	1
29	GB/T6171—1986	Nut M10×1.25	1
30	GB/T848—1985	Washer 10	1
31	4T06C	Transmission assembly	1