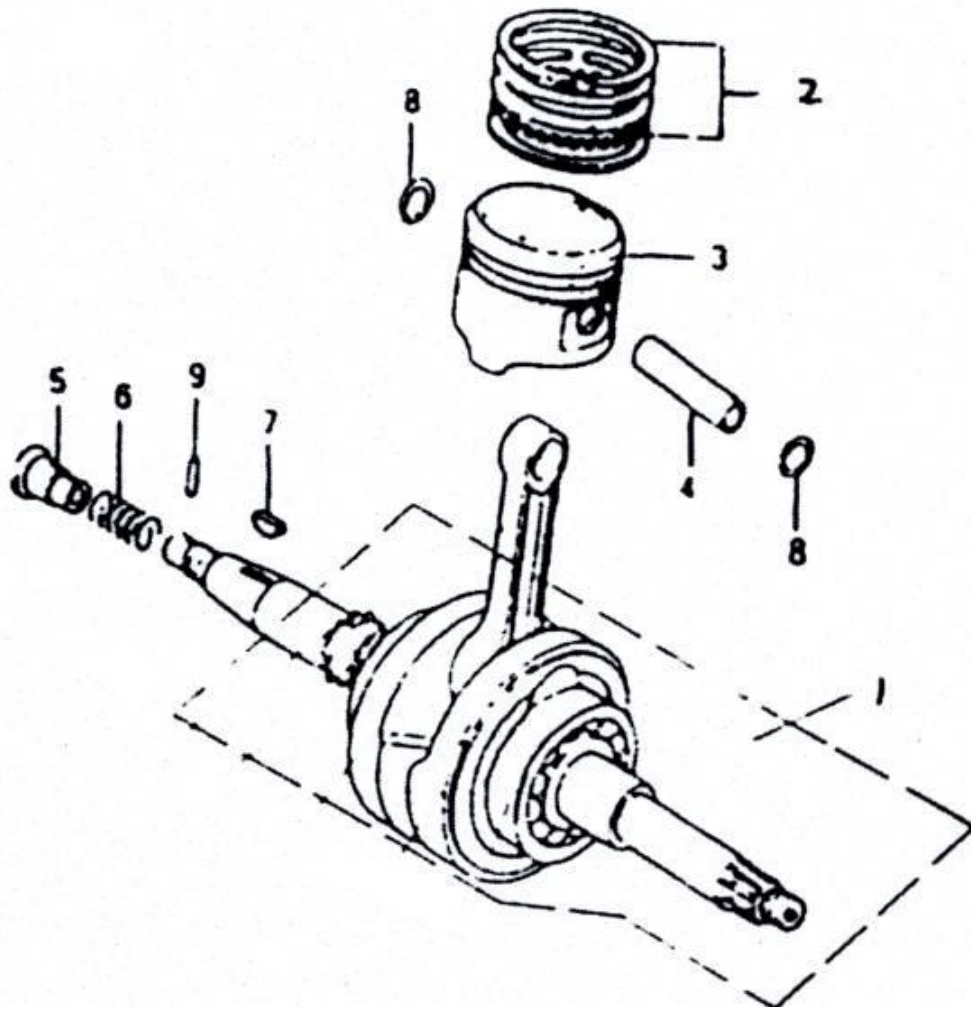


10 CRANK LINK LEVER & PISTON



No.	P/N	ENGLISH	Q'ty
1	172MM-A-041000	CRANK LINK UNIT	1
2	172MM-040008	PISTON RING	1
	172MM-040009	PISTON RING	1
	172MM-042000	OIL RING	1
3	172MM-040005	PISTON	1
4	172MM-040007	PISTON PIN	1
5	152MI-040011	OIL CHANNEL JOINT	1
6	152MI-040010	JOINT SPRING	1
7	152MI-040006	WOODRUFF KEY	1
8	172MM-040006	PISTON PIN STOP RING	2
9	119-P2X14	PIN	1