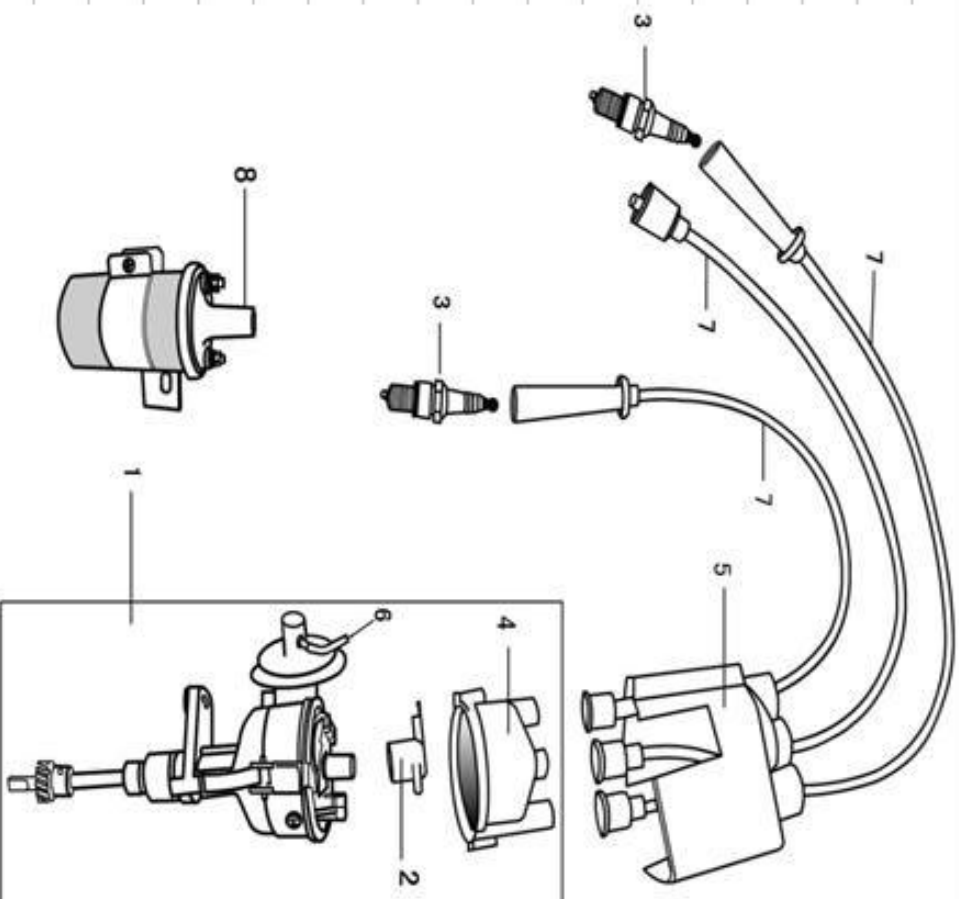


10 DISTRIBUTOR AND ITS LINE UNIT



No.	Code name	Description	Qty
1	270Q - 23510W	Distributor assembly (non contact)	1
2	FDQ - 60000	Rotor head assembly	1
3	GB/T7825 - 1987	Spark plug	2
4	FDQ - 1 - 50000	Distributor cover assembly	1
5	270Q - 23901	Distributor protective cap	1
6	LJ276MT - 2 - 23501	Vacuum rubber tube	1
7	LJ276M - 23910F	High – tension damping wires Central High – tension wire 800	1
8	LJ462Q - 1 - 3705010DW	Ignition coil assembly	1